**Inductive Shaft encoder, Absolute**

- 58mm diameter
- Extremely robust design
- Shock and vibration protected
- Inductive scanning

**Mechanical data**

Operating temperature	-40 °C...+100 °C
Ingress protection class [IEC 60529]	IP 66 and IP 67
Vibration [IEC 60068-2-64]	≤ 300 m/s ²
Shock [IEC 60068-2-27]	≤ 2000 m/s ²
Shaft load max (axial/radial)	100 / 125 N
Rotational speed max	12000 rpm
Shaft material	Stainless steel
Cover material	Aluminium (anodized)
Weight	Appr. 340 g

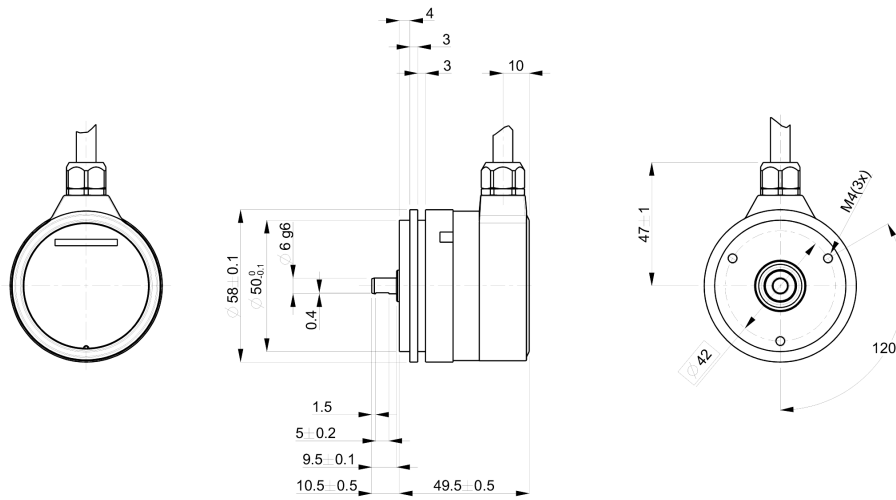
Encoder configuration

Code key	60731610
Type	ISA
Model	607 Singleturn
Shaft type	Ø6 mm with partial flat
Flange type	Synchro flange (63-type)
Power supply	5-30 Vdc
Output interface	SSI Binary
Absolute resolution	13 bit singleturn
Connection type	Cable
Connecting direction	Radial
Cable length	1.50 m

Electrical data

Polarity protected	Yes
Short circuit protected outputs	Yes
Current consumption (No load)	30 mA at 24 Vdc
Cable length max	Max. 100 m
Absolute accuracy	± 180 arcsec

Dimensions



Supported functions

Code sequence- Active high If not connected or connected to 0V the position will increase when the shaft is turned clockwise (CW) seen from the shaft end. If connected to a high logic level the position will increase while turned counter clockwise (CCW).
Preset- Active high When connected to a high level for minimum 1ms the position value is set to zero (0)

Pin Configuration

Function	Colour
+E Volt	Red
0 Volt	Blue
Clock	Yellow
Clock inverted	Black
Data	White
Data inverted	Green
Zero set	Brown
Code sequence	Violet
+E Volt sense	Grey
0 Volt sense	Pink

Order information

Part number	1337740-01
-------------	------------