

**Solid Shaft encoder, Incremental**

- Optical scanning principle
- PRO model for medium duty environments

**Mechanical data**

Operating temperature	-30 °C...+70 °C
Ingress protection class [IEC 60529]	IP67 (IP66 at shaft inlet)
Vibration [IEC 60068-2-64]	≤ 200 m/s ²
Shock [IEC 60068-2-27]	≤ 2000 m/s ²
Shaft load max (axial/radial)	50 N / 60 N
Rotational speed max	6000 rpm
Shaft material	Stainless steel
Cover material	Aluminium
Weight	300 g

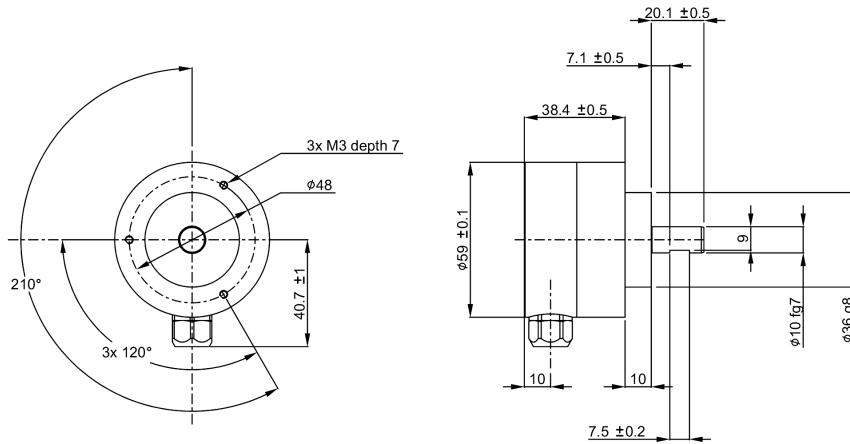
Encoder configuration

Type	MSI
Code key	502065R00
Shaft type	Ø10 mm with partial flat
Flange type	Clamping flange (61sp-type)
Resolution	100 ppr
Power supply	9-30 Vdc
Output signal	HTL
Connection type	Cable
Connecting direction	Radial
Cable length	1.50 m
Number of channels	6 (S00, S00\, S90, S90\, Sref, Sref\)

Electrical data

Polarity protected	Yes
Short circuit protected incremental outputs	No
Current consumption (No load)	50 mA at 24 Vdc (Max. 60 mA)
Incremental output load (max)	± 40 mA
Output frequency max	300 kHz
Cable length max	70 m at 50 kHz
Channel separation	90 °el ±40 °el
Dividing error	±400 °el (for 1 revolution)

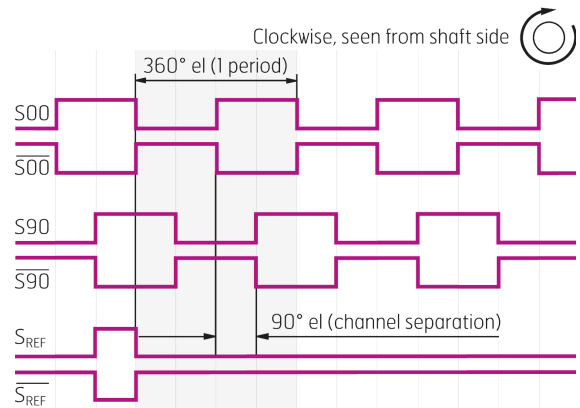
Dimensions



Pin Configuration

Function	Colour
S90	Green
S90 inverted	White
S00 inverted	Black
S00	Yellow
+E Volt	Red
0 Volt	Blue
Sref	Brown
Sref inverted	Violet
STATUS	Grey
Case	Shield

Output signal



Order information

Part number	1423036-02
-------------	------------