**Ruggedized Shaft encoder, Absolute**

- Single turn
- Robust design
- Shock and vibration protected

**Mechanical data**

Operating temperature	-40 °C...+80 °C
Ingress protection class [IEC 60529]	IP67/IP66 (Encoder body/Shaft inlet)
Vibration [IEC 60068-2-64]	≤ 300 m/s ²
Shock [IEC 60068-2-27]	≤ 2000 m/s ²
Shaft load max (axial/radial)	50 / 60 N
Rotational speed max	6000 rpm
Shaft material	Stainless steel
Cover material	Aluminium (Anodized)
Weight	300 g

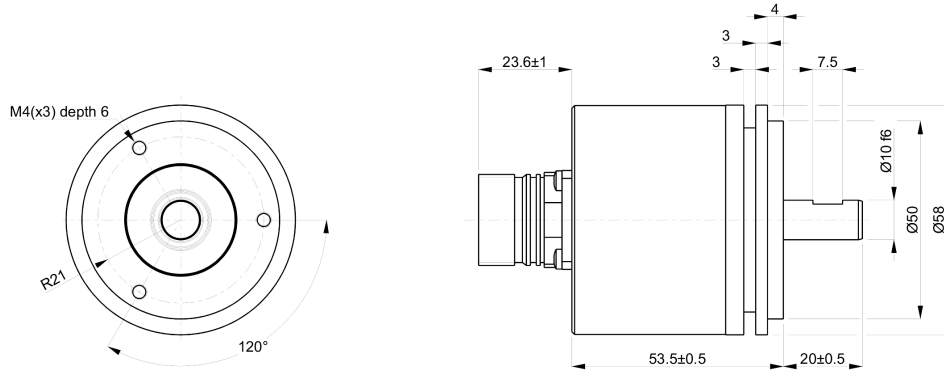
Encoder configuration

Type	RSA
Model	507 Singleturn
Shaft type	Ø10 mm with partial flat
Flange type	Synchro flange (63-type)
Power supply	9-36 Vdc
Output interface	CANopen
Absolute resolution	13 bit singleturn
Connection type	M23 connector 12-pin
Connecting direction	Axial

Electrical data

Polarity protected	Yes
Short circuit protected outputs	Yes
Current consumption (No load)	100 mA at 24 Vdc
Absolute accuracy	±1 LSB
Supported profile	Encoder profile DS406 v2
Node adress	Hardware or software adjustable
Code type	Binary
Baud rate	Max. 1 Mbit/s software adjustable (Default 125 kBi)

Dimensions

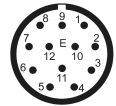


Supported functions

Scaling, Preset, Code sequence, Heartbeat, Node Guarding

Pin Configuration

Function	Pin
Address bit 0	1
Address bit 1	2
Address bit 2	3
Address bit 3	4
CAN_H	8
CAN_L	9
0 Volt	10
Address 0V	11
+E Volt	12



Order information

Part number	538495-01
-------------	-----------