**X-heavy duty Hollow shaft encoder, Incremental**

- Performance hollow shaft encoder for heavy duty industries
- High vibration and shock resistance
- Electrically insulated shaft

**Mechanical data**

Operating temperature	-20 °C...+85 °C
Ingress protection class [IEC 60529]	IP67 (IP66 at shaft inlet)
Vibration [IEC 60068-2-64]	≤ 20 g, 55-2000 Hz
Shock [IEC 60068-2-27]	≤ 400 g, 3.5 ms
Shaft load max (axial/radial)	500 N / 1200 N
Rotational speed max	6000 rpm
Shaft material	Stainless steel with insulated peek insert
Cover material	Aluminium (coated)
Weight	1300 g

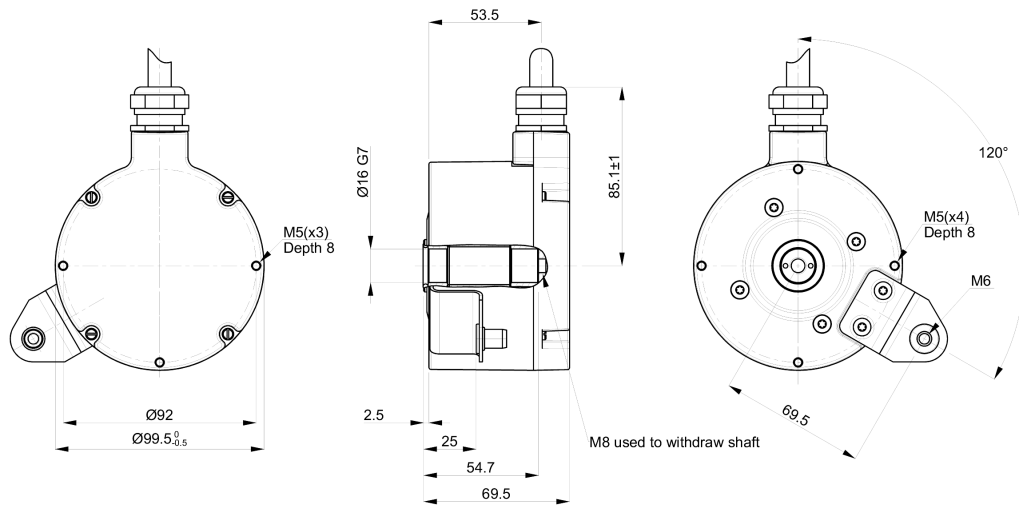
**Encoder configuration**

Code key	861108956
Type	XHI
Shaft type	Ø16 mm blind hollow shaft
Flange type	86-flange
Resolution	1024 ppr
Power supply	9-30 Vdc
Output signal	High Current HTL (HCHTL)
Connection type	Cable
Cable length	5.00 m
Number of channels	6 (S00, S00\, S90, S90\, Sref, Sref\)
Cable gland dimension	M20 for Ø8-11 mm cables
Torque bracket	120° orientation

**Electrical data**

Polarity protected	Yes
Short circuit protected incremental outputs	Yes
Current consumption (No load)	60 mA at 24 Vdc (Max. 80 mA)
Incremental output load (max)	± 40 mA
Output frequency max	200 kHz
Cable length max	350 m at 100 kHz
Channel separation	90 °el ± 25 °el
Dividing error	± 50 °el
MTTFd value [Years]	479
PFHd value [h-1]	7,23E-07

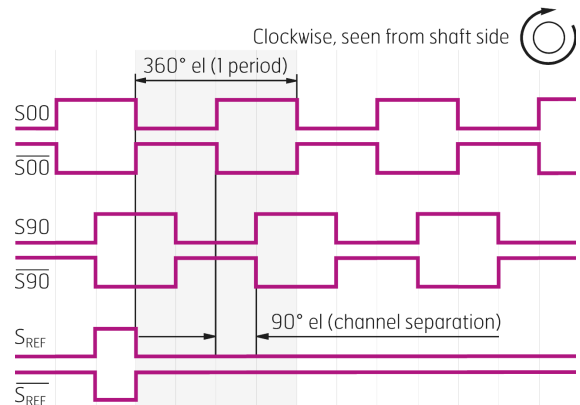
## Dimensions



## Pin Configuration

Function	Colour
+E volt	Red
0 Volt	Blue
0 (Sref)	Brown
0 inverted (Sref\)	Violet
1 (S90)	Green
1 inverted (S90\)	White
2 (S00)	Yellow
2 inverted (S00\)	Black
Chassis	Shield

## Output signal



## Available options

Advanced Diagnostic System

## Order information

Part number 750729-03